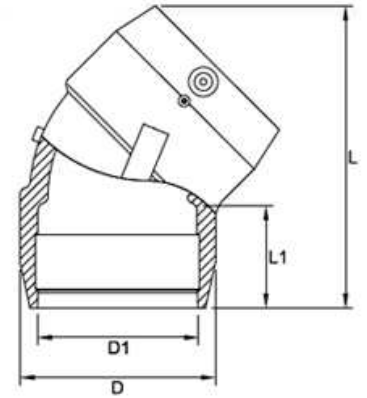


## 45° ELBOW

PE100 Black - Gas 10 Bar / Water PN16

PE80 Yellow - Gas 7 Bar



FITTING SIZE	L (mm)	L1 (mm)	D (mm)	D1 (mm)	FUSION TIME (secs)	COOLING TIME (mins)	WEIGHT (kg)	BOX QUANTITY
32mm x 45deg	95	39	44	32	45	3	0.08	100
40mm x 45deg	108	41.5	53	40	50	5	0.1	70
50mm x 45deg	124	44.5	63.8	50	80	5	0.134	50
63mm x 45deg	136.4	50	78.5	63	35	5	0.25	30
75mm x 45deg	165	62	97	75	70	5	0.427	35
90mm x 45deg	192	60	117	90	110	10	0.765	18
110mm x 45deg	213	75	137	110	140	10	0.894	10
125mm x 45deg	240	81	154	125	140	10	1.22	6
160mm x 45deg	320	105	217	160	240	10	4.5	2
180mm x 45deg	320	105	217	180	240	20	3.13	2